

4 Productline and drawings

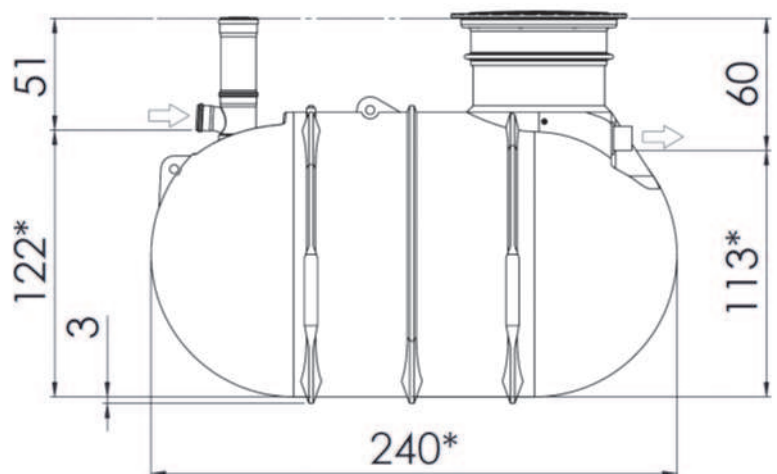
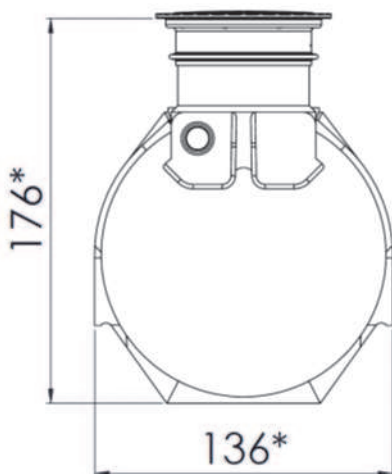
In tank **BL** (For installation in groundwater up to middle of tank)



	Solido SMART BL26 (5 PE)	Solido SMART BL30 (6 EW)	Solido SMART BL45 (8 EW)
Order No.	KSTA2600	KSTA3000	KSTA4500
Length (L)	240* cm	242* cm	242* cm
Breadth (B):	136* cm	142* cm	170* cm
Height (H) (inkl. VS20)	176* cm	201-220** cm*	229-248** cm*

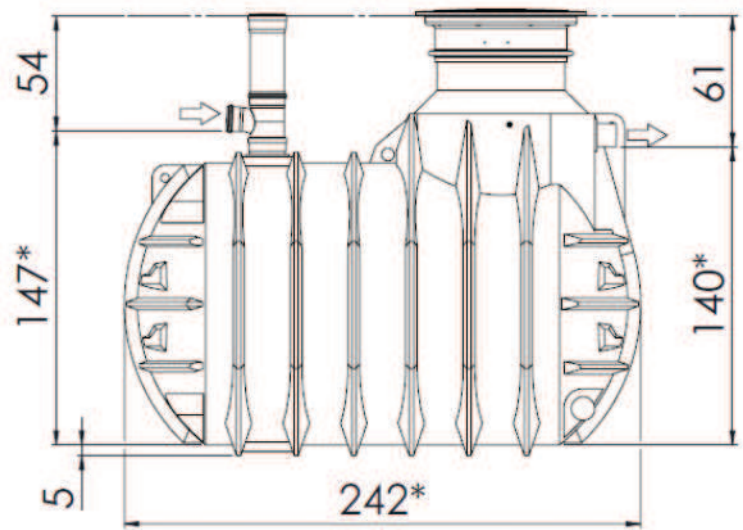
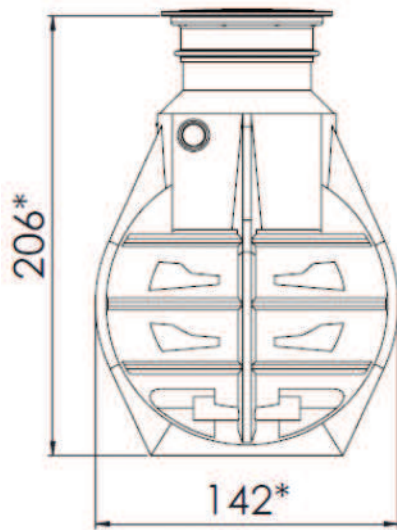
**Height adjustment by telescoping or shortening the shaft elements

Solido SMART BL26 (5 PE)



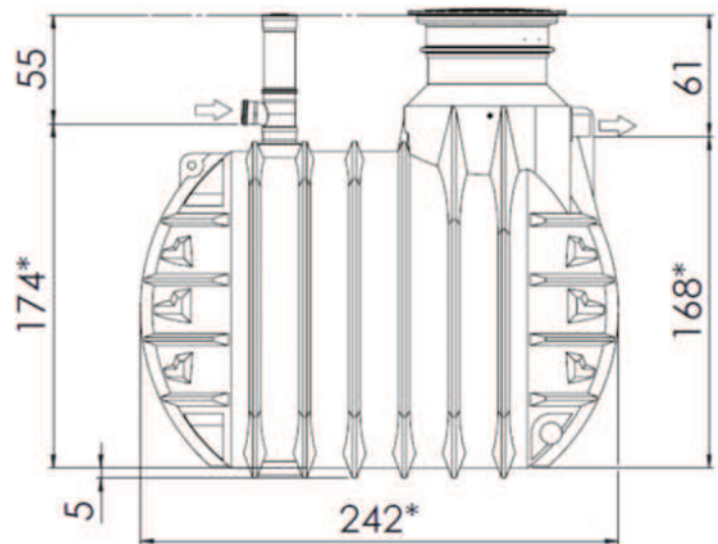
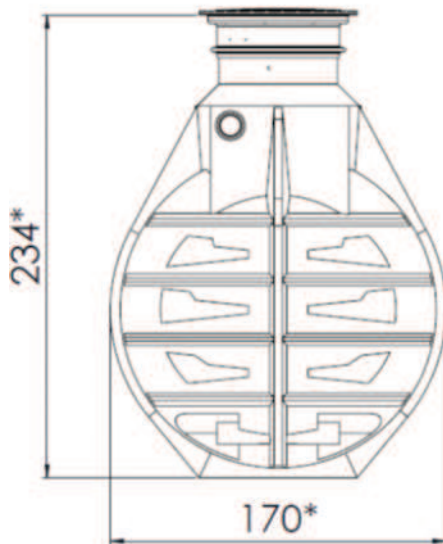
* production-related deviations in a range of -4/+1 cm

Solido SMART BL30 (6 PE)



* production-related deviations in a range of -4/+1 cm

Solido SMART BL45 (8 PE)



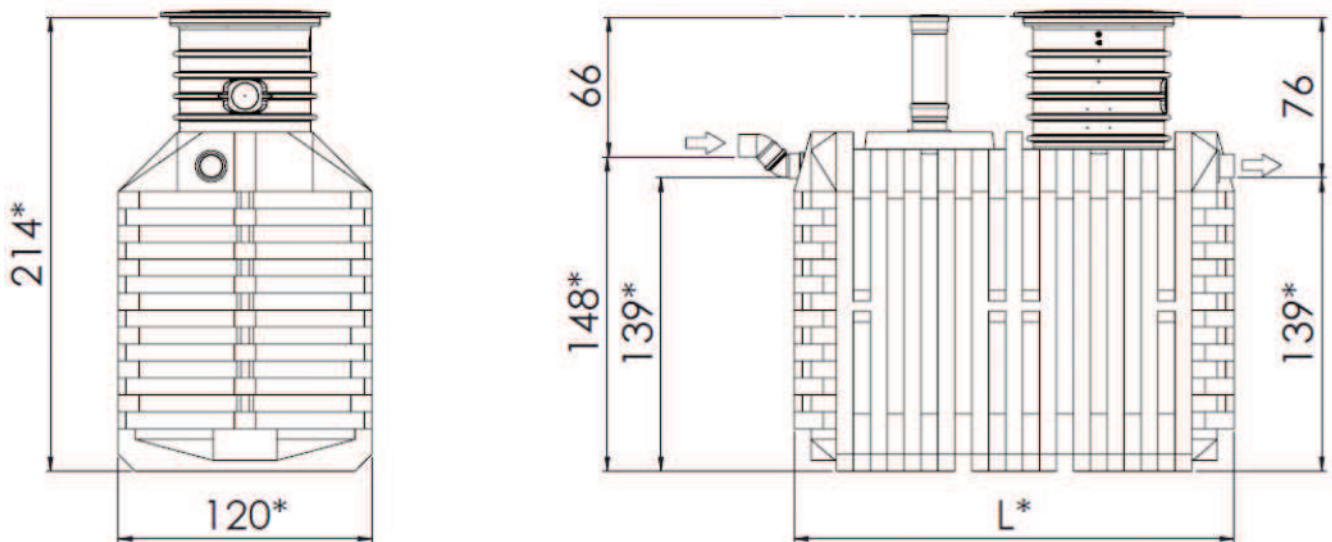
* production-related deviations in a range of -4/+1 cm

In tank **MONOLITH I ML** (for installation in groundwater up to shoulder of tank)



	Solido SMART ML30 (6 PE)	Solido SMART ML35 (7 PE)	Solido SMART ML50 (9 PE)
Order No.	KSTA3100	KSTA3500	KSTA5000
Length (L)	208* cm	240* cm	320* cm
Breadth (B):	120* cm	120* cm	120* cm
Height (H) (inkl. VS20)	201-214** cm*	201-214** cm*	201-214** cm*

**Height adjustment by telescoping or shortening the shaft elements



* production-related deviations in a range of -4/+1 cm