

# Root's blowers



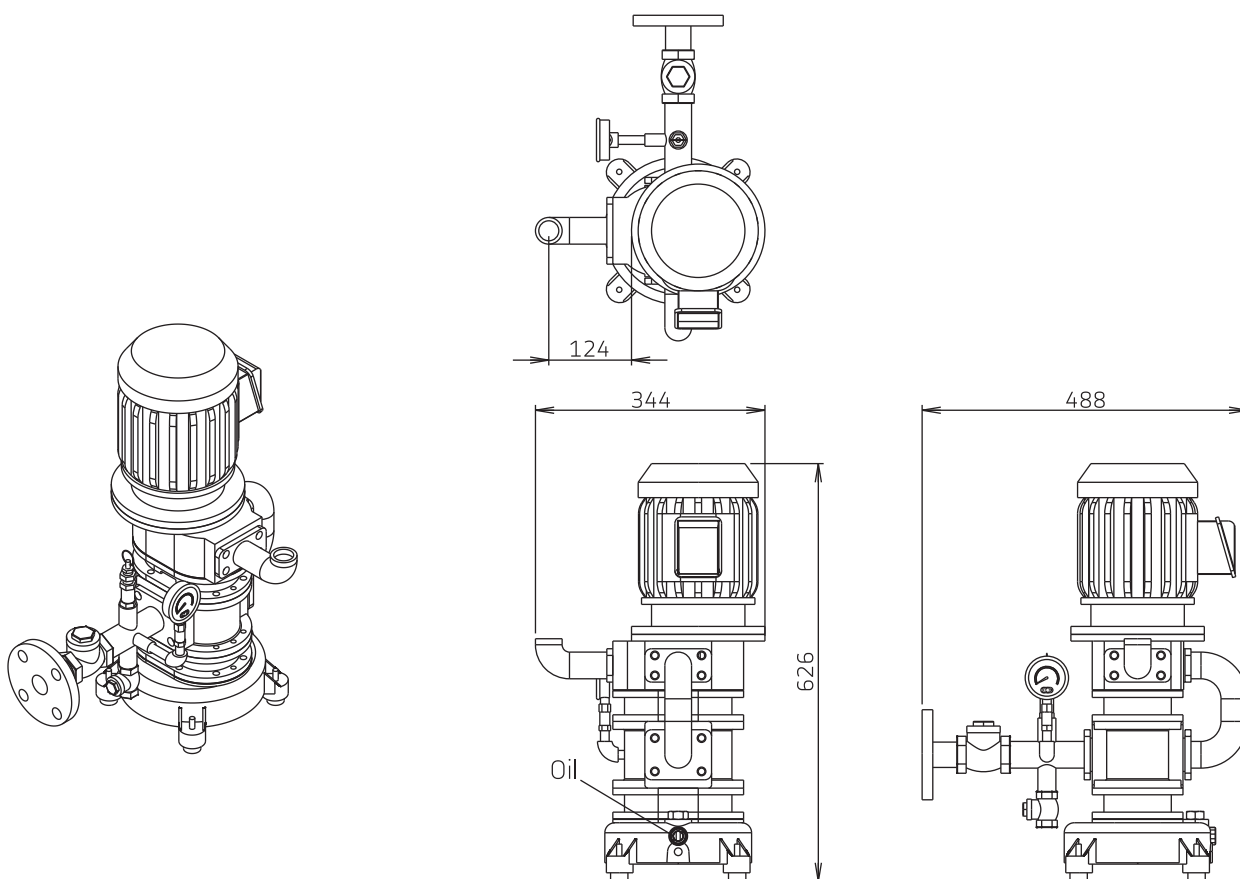
## D. BLOWERS

- KTB32A75
- very silent and compact blower with intake and exhaust silencer
- high efficiency,
- low vibrations (almost no vibrations), long life,
- rotors are precisely machined on CNC machines and dynamically balanced,
- including check valve to avoid any possibility of sucking water to blower due wrong wiring of phases,
- standard flange typee, 4 poles, asynchronous electromotors are used,
- blower can operate outdoor,
- directly driven by electromotor through flexible clutch (no belts that require replacement and tensioning),
- electromotor protection IP 54,
- no need of any special seating or mounting, blower has its own silent-blocks, just needs to stand of flat surface.

### Solberg filters



Input pressure (mBar)	Air flow (m <sup>3</sup> /min.)	Noise (dB)
100	0,96	61,9
200	0,77	62,5
300	0,62	63,6
400	0,45	64,8
500	0,39	64,4



# Blowers application

## D. BLOWERS

- Aeration / oxygenation of water in biological wastewater systems,
- Oxygenation of ponds in fish farming.
- Oxygenating mineralized waters to exclude manganese, iron...
- Pneumatic conveying .
- Industrial suction systems, industrial vacuum cleaners.
- Industrial furnaces.
- Vacuum handling systems.
- Air bearings.
- Air blower blades.
- Air gates.
- Washing of sand filters.
- Air massage in jacuzzi...

