

RB 30, 40, 50 side channel blowers



D. BLOWERS

MAIN BENEFITS:

- trouble-free operation,
- long life.
- high quality grease bearings,
- pure, oil-free air,
- blower rotor is not in contact with the stator.

RB BLOWERS PARAMETERS:

- consumption 0,20–20 kW,
- maximum flow from 0,8 to 18,9 m³/min,
- maximum vacuum from -50 to -450 mbar (rel),
- maximum pressure from +60 to +700 mbar (rel).

BLOWERS APPLICATION:

Blowers are designed for daily use in pressure, vacuum and combined applications. The most common applications are: healthcare, transport granules, manipulators, industrial vacuum cleaners, printing and wood industry, packaging, waste water systems.

One stage blowers

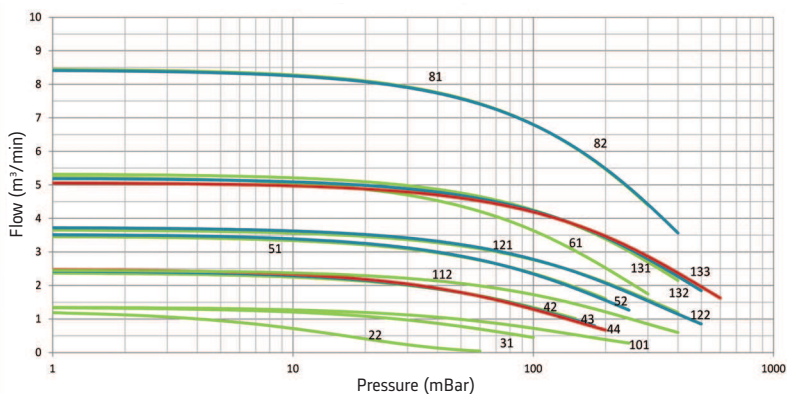
Model 3-phase 1-phase	Perf. curve no.	Power (kW)	Voltage possibilities (U1, V1, W1, U2, V2, W2)	Maximum flow (m ³ /min)	Max. pressure / va- cuum for continuous operation (mbar)	Noise (dB)	Weight (kg)
RB 20-5B0	22	0,22	208-255 / 360-440 (220-240)	0,9	60 / 65	64	9,80
RB 20-590	22	0,22		0,9	65 / 65	64	10,5
RB 30-6B0	31	0,4		1,3	100 / 105	69	13,0
RB 30-690	31	0,4		1,3	100 / 105	69	14,9
RB 40-4B0	42	0,75		2,4	150 / 155	69	15,3
RB 40-5B0	43	0,9		2,4	180 / 180	69	16,0
RB 40-6B0	44	1,1		2,4	200 / 200	69	17,2
RB 40-690	44	1,1	2,4	190 / 190	69	19,2	
RB 50-5B0	51	1,5	208-255 / 360-440	3,5	180 / 180	73	23,5
RB 50-6B0	52	2,2		3,5	250 / 250	73	26,0
RB 50-590	51	1,5		3,5	160 / 160	73	26,0
RB 60-5B0	61	2,2		5,1	220 / 220	76	36,0
RB 60-6B0	61	3,0		5,1	280 / 280	76	38,4
RB 60-7B0	61	4,0	220-240 / 380-415	5,1	340 / 340	76	41,5
RB 80-5B0	81	5,5		8,5	300 / 300	73	120
RB 80-6B0	82	7,5		8,5	400 / 400	73	123

Two stages blowers

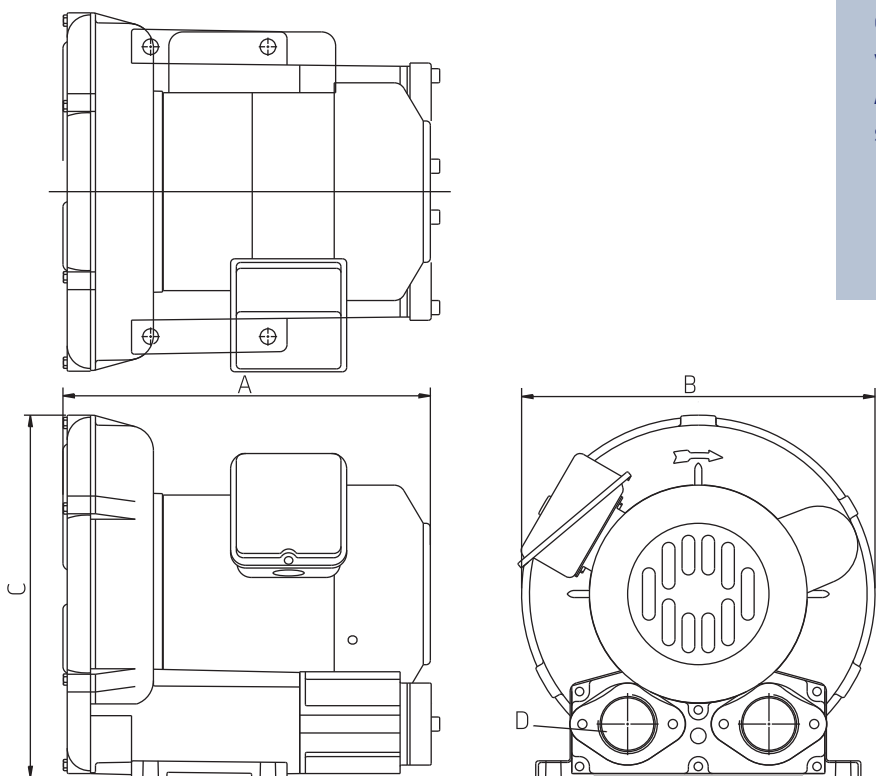
Model	Perf. curve no.	Power (kW)	Voltage possibilities (U1, V1, W1, U2, V2, W2)	Maximum flow (m ³ /min)	Max. pressure / va- cuum for continuous operation (mbar)	Noise (dB)	Weight (kg)
RB 30-1-B0	101	0,75	220-240 / 380-415 360-440	1,5	210 / 240	55	14
RB 40-1-8B0	112	2,2		2,5	330 / 440	66	27
RB 50-1-7B0	121	3,0		3,9	340 / 410	72	39
RB 50-1-8B0	122	4,0		3,9	390 / 490	72	43
RB 60-1-7F0	131	4,3	360-415	5,2	360 / 380	73	53
RB 60-1-8F0	132	5,5		5,2	440 / 500	73	70
RB 60-1-9F0	133	7,5		5,2	440 / 570	73	77

D. BLOWERS

Performance curves

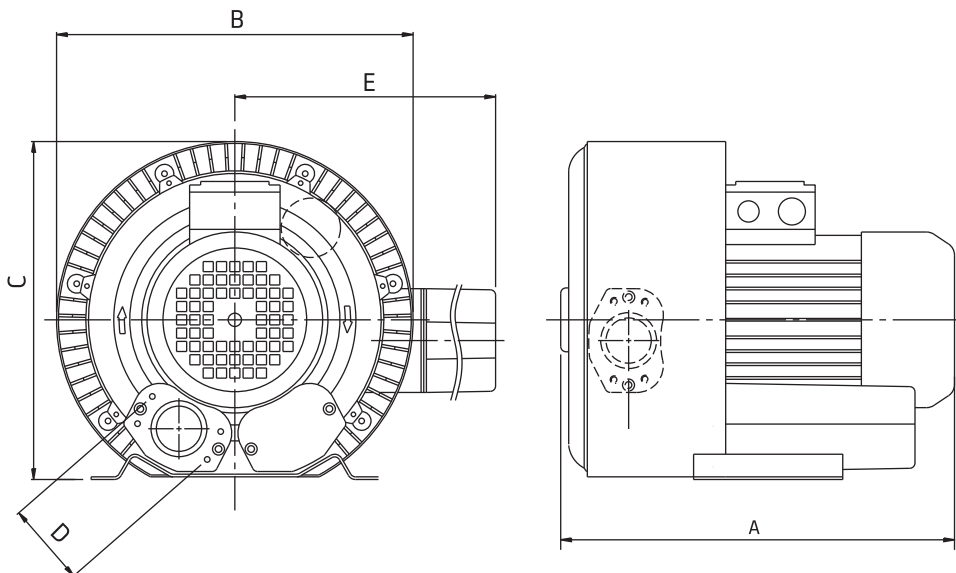


One stage blowers



Model	A lenght (mm)	B width (mm)	C height (mm)	D conn. (mm)
RB20	225	212	238	ø 30
RB30	256	230	257	G1½
RB40	261	255	303	G1½
RB50	468	466	521	G2½
RB60	394	382	413	ø 55
RB80	487	466	546	G2½

Two stages blowers



Model	A lenght (mm)	B width (mm)	C height (mm)	D conn. (mm)	E (mm)
RB30	316	284	271	64	317
RB40	392	321	315	72	321
RB50	495	372	345	82,5	411
RB60	586	426	410	82,5	424

CERTIFICATION:

- Declaration of Conformity.
- 22/1997 Sb. Law on technical requirements for products.
- 73/23/EHS: Low Voltage Directive (LVD).
- 89/336/EHS: Electromagnetic compatibility (EMC).
- 98/37/ES: Safety of machinery (MD).

BLOWERS ACCESSORIES:

We offer complete accessories for RB blowers. We will recommend you accessories for your application to be possible easily plug and run. We usually supply: inlet filters, relief valves for pressure/vacuum applications, elbows, endings. All accessories are in the stock and ready for next-day shipment.

Detailed technical drawing in electronic version (.dwg) with dimensions upon request...

