



OIL SEPARATOR

With coalescing filter

Class 1
Discharge < 5 mg/l
From 3 to
50 l/s

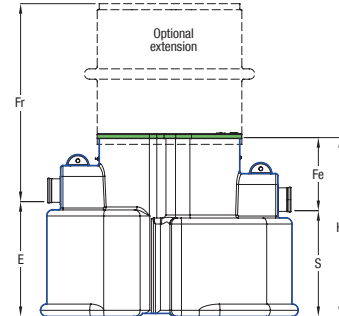
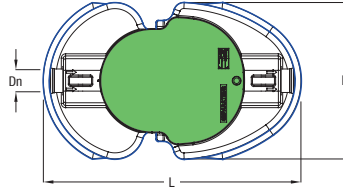
- Polyethylene tank produced by rotomoulding.
- Polyethylene inlet/outlet device with nitrile sleeve.
- Removable polyethylene inner wall, with filter holder and coalescing filter.
- Polyethylene automatic closure device, rated 0.85.
- Polyethylene cover for pedestrian traffic, with stainless steel screws.

OPTIONS

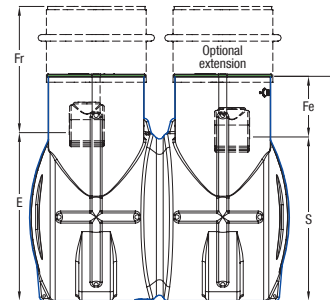
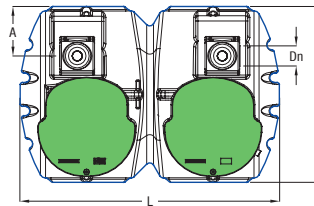
(see page 28 & 29)

- Extension of cover.
- Visual and audible alarm.

EH20 ELLIPSE range
3 • 6 • 10 • 15 • 20 • l/s

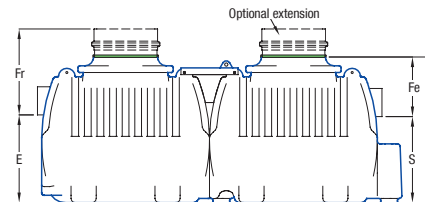
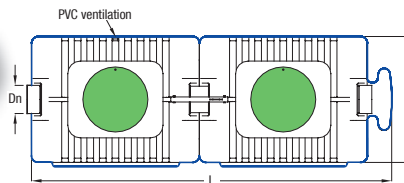


Ref EH20	Size l/s	L	P	H	E	S	Fe	Dn	Volume Separator	Weight	Optional extension				
											H 700	Fr min-max	H 1000	Fr min-max	
EH2003C	3	1282	780	891	575	530	361	110	340	50	RE107	H 700	750 1000		
EH2006C	6	1282	780	1321	988	943	403	160	650	75		H 700	770 10020		
EH2010C	10	1882	1160	1460	1015	938	522	160	1400	150	RE207	H 700	830 1130	RE210	880 1480
EH2015C	15	1882	1160	1975	1580	1500	475	200	2400	194			780 1080		830 1430



Ref EH20	Size l/s	L	P	H	E	S	Fe	Dn	A	Volume Separator	Weight	Optional extension				
												H 700	Fr min max	H 1000	Fr min max	
EH2020C	20	2400	1624	1700	1160	1120	580	200	457	2900	229	RE207	H 700	932 1232	RE210	982 1582

HFE ARONDE range
30 • 50 l/s



Ref HFE	Size l/s	L	P	H	E	S	Fe	Dn	Volume Separator	Weight	Optional extension (x 2 units)				
											H 250 to 450 mm	Fr min max	H 430 to 600 mm	Fr min max	
HF130E	30	2292	1500	1730	1085	1065	665	200	3100	190	ETR47ET	H 250 to 450 mm	895 1095	ETR65ET	1075 1245
HF150E	50	4292	1500	1730	1055	1035	695	300	5700	320		925 1125	1105 1275		

Dimensions are given in mm, weights in kg, volumes in liters.

Oil separator
Polyethylene Steel Options

Grease separator
Polyethylene Steel Options

Installation